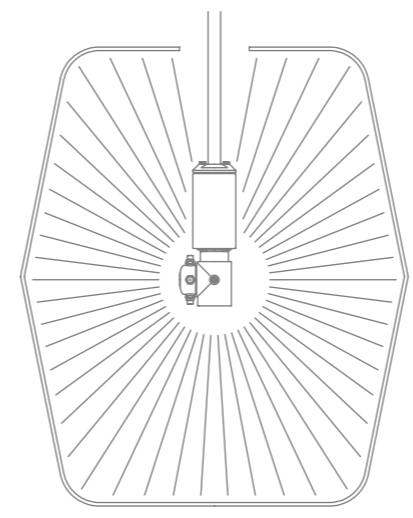
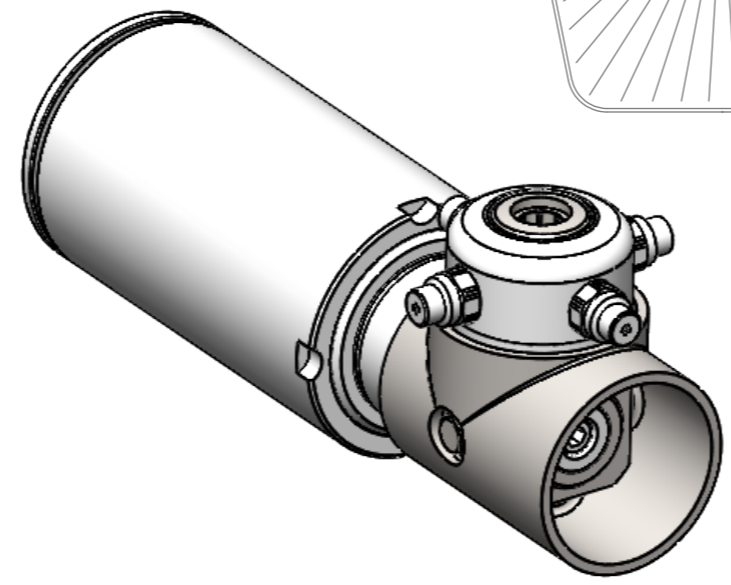


TECHNICAL DATA

O.RING	NBR - EPDM - VITON
SLIPPER	PTFE + CARBON FIBRE
BUSHING	AISI 316
FILTER	700 MICRON
NOZZLES POSITIONS	2 - 4
NOZZLES THREAD	1/4"NPT
TESTING NOZZLES	0 x 0000
OPERATING FLOW RANGE	10 - 60L/min
TESTING FLOW	00 L/min
OPERATING PRESSURE RANGE	5 - 150 bar
TESTING PRESSURE	000 bar
CENTER LINE MIN PASS THROUGH HOLE	123 mm
MANUAL MIN PASS THROUGH HOLE	103 mm
MAX OPERATING TEMPERATURE	90°C
MATERIAL	INOX AISI 316
CONICAL GEARS	FIXED Z=46 ROTATING Z=47
MODULE	1
ROTATION SPEED RANGE	15 to 25 RPM
TESTING DIFFUSER CODE	DF0000 (SEE CHART)
FULL CYCLE	47 ROTATIONS
FULL CYCLE TIME	2.4 min AT 20 RPM
WEIGHT	5.0 kG



FLOW L/MIN	DIFFUSER CODE - HOLES
10 - 12	DF0504 - 2x3.00
12 - 15	DF0508 - 3x3.00
15 - 18	DF0512 - 4x3.00
18 - 20	DF0516 - 6x3.00
20 - 25	DF0520 - 8x3.00
25 - 35	DF0524 - 12x3.00
35 - 45	DF0528 - 12x3.40
45 - 60	DF0532 - 18x3.40



VERSIONE	01	02	03	04	05
FOGLIO					
DATA					
VERSIONE	06	07	08	09	10
FOGLIO					
DATA					

NOTE:
 DESCRIZIONE: RW190 STANDARD APPLICATION DRAWING

Bolondi
 CLEANING HEADS
 MONTECCHIO E. (RE) - ITALY

DISEGN.: S.DL. CONTR.:
 DATA: 09/03/2021 VERSIONE
 SCALA 1:2 A3 **01**

CODICE:
RW190_A