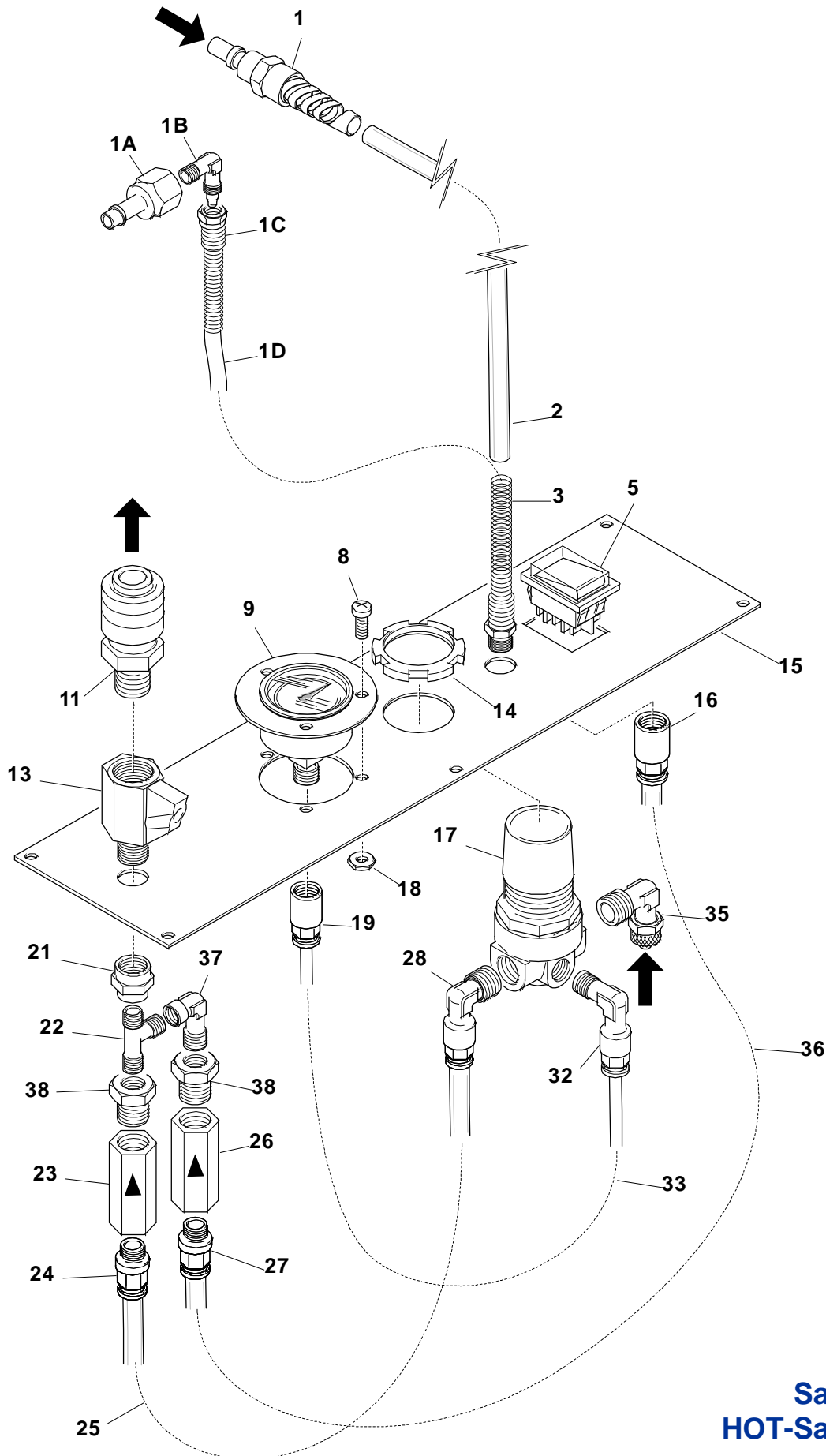


TAVOLA 28
TABLE 28



Sabrina-Foam
HOT-Sabrina-Foam
March 2011

March 2011

MACCHINA AD ESTRAZIONE DI SCHIUMA SABRINA-FOAM / HOT-SABRINA-FOAM
FOAM EXTRACTION MACHINE MOD. SABRINA-FOAM / HOT-SABRINA-FOAM
TAVOLA 28
TABLE 28

rif	codice	descrizione	description
1	709-PE	INNESTO RAPIDO M. + MOLLA PER TUBO 6/8	COUPLING M. WITH SPRING FOR 6/8 PIPE
1A	689-PE	INNESTO RAPIDO M. ATT.F.1/4 (14) PARKER	QUICK DISCONNECT MALE ATT.F.1/4 (14) PARKER
1B	6051	RACCORDO GOMITO C5 M.1/4 PER TUBO 6/8	COUPLING – ELBOW C5 M.1/4 FOR HOSE 6/8
1C	6160.2	MOLLA PER INNESTO A CALZARE TUBO 6/8	SPRING FOR HOSE 6/8
1D	74025	TUBO RILSAN 6/8 L=25CM	RILSAN HOSE L=25CM
2	73502	TUBO EXTRAFLEX 6/8 L=35CM	EXTRAFLEX SOLUTION PIPE, L=35CM
3	6181	RACCORDO DIRITTO C1Z 8/6-1/4 CON MOLLA	COUPLING M. 1/4 WITH SPRING FOR 6/8 PIPE
5	217	INTERRUTTORE	SWITCH
8	53501	VITE TC+3x14	SCREW TC+3X14
9	900	MANOMETRO	MANOMETER
11	687-PE	INNESTO RAPIDO FEMMINA, ATT.M.1/4–METALLO	FEMALE QUICK DICONN.COUPL, ATT. M.1/4–METAL
13	751	VALVOLA DI CHIUSURA	OUTPUT VALVE
15	4903	PANNELLO COMANDI	CONTROL PANEL
16	7142	INNESTO AUTOMATICO F.1/4 PER TUBO 6/8	AUTOMATIC COUPLING F.1/4 FOR 6/8 PIPE
17+14	49091	REGOLATORE DI PRESSIONE ARIA	AIR PRESSURE REGULATOR
18	58603	DADO OTTONE DIAM.3	BRASS NUT DIAM. 3
	52103	RONDELLA DENTELLATA DIAM.3	LOCKING WASHER DIAM.3
19	7141	INNESTO AUTOMATICO R2 4-1/8	AUTOMATIC COUPLING R2 4-1/8
21	684	RIDUZIONE F. 1/4 F. 1/8	COUPLING F. 1/4 F. 1/4
22	7220	RACCORDO “T” M.M.M. 1/8	“T” COUPLING M.M.M. 1/8
23	7551	UNIDIREZIONALE F.F. 3/8”	ONE-WAY COUPLING F.3/8” – F.3/8”
24	754	INNESTO AUTOM. M. 3/8 PER TUBO 6/8	AUTOMATIC COUPLING M. 3/8 FOR 6/8 PIPE
25	7405	TUBO RILSAN 6/8 L=35CM	RILSAN PIPE 6/8, L=35CM
26	7551	UNIDIREZIONALE F.F. 3/8”	ONE-WAY COUPLING F.3/8” – F.3/8”
27	754	INNESTO AUTOM. M. 3/8 PER TUBO 6/8	AUTOMATIC COUPLING M. 3/8 FOR 6/8 PIPE
28	6053A	INNESTO AUTOM. GOMITO M. 1/8 PER TUBO 6/8	AUTOMATIC COUPLING-ELBOW M. 1/8 FOR 6/8 PIPE
32	6052A	INNESTO AUTOM. GOMITO M. 1/8 PER TUBO 4mm	AUTOMATIC COUPLING-ELBOW M.1/8 FOR 4mm PIPE
33	6931	TUBO EXTRAFLEX DIAM. 2,5/4 - L=34CM	EXTRAFLEX PIPE DIAM. 2,5/4 - L=34CM
35	605	RACCORDO GOMITO M. 1/8 PER TUBO 6/8	ELBOW M. 1/8 FOR 6/8 PIPE
36	7403	TUBO RILSAN 6/8, L=32 CM	RILSAN PIPE 6/8, L=32CM
37	626	GOMITO M-F 1/8”	ELBOW M-F 1/8”
38	7672	RACCORDO RIDUZIONE M.3/8” F. 1/8”	COUPLING M. 3/8” – F. 1/8”